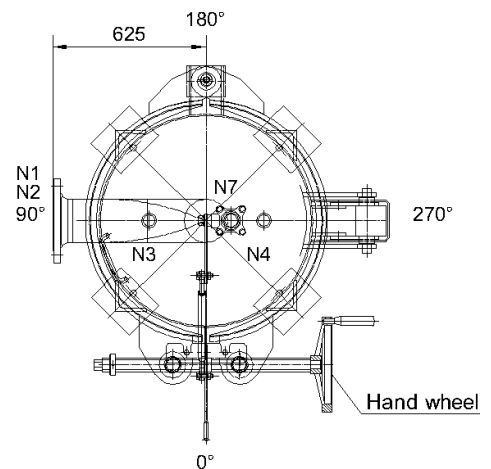
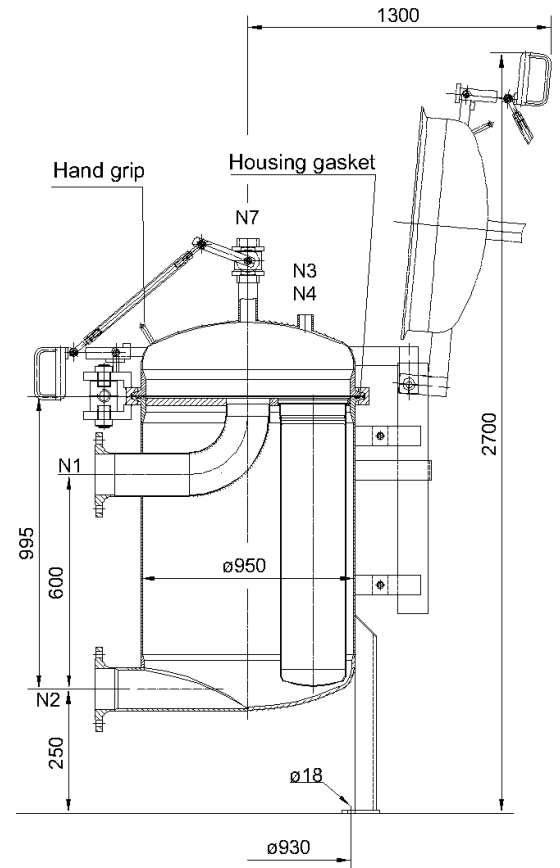


Bag Filter MAXILINE VMBF-1202-AC10-250DTX (VAR)

Specification

Code number	F610204
Technical data	
Max. theoretic flow rate	m ³ /h 480 (dep. on filter element / fluid)
Filter area	m ² 6
No. of restrainer baskets	qty 12
Filter housing volume (V)	liter 645
Filter housing weight	kg approx. 770
Installation height	mm approx. 3300
Installation space	mm approx. 1400 x 1400
Lid configuration	with spring aided lifter
Design code	AD 2000-Merkblätter
PED 97/23/EC classification	Category IV
Material of construction	
Housing	Stainless Steel 316 Ti
Restrainer basket	Stainless Steel 316 Ti
Closure (QIC-LOCK)	Stainless Steel 321
Other parts (non wetted)	Stainless Steel 304
Gaskets	NBR
Design data	
Max. allowable pressure (PS)	bar 10
Min./max. allow. Temp. (TS)	°C -10/ +120
Housing connections	
N1/N2 (inlet/ outlet)	DN 250 PN16 (DIN 2633)
N3/N4 (lid holes)	BSP socket 1"
N7 (safety device)	ball valve 1"
Packing	
Dimensions (L x W x H)	mm 1200 x 1600 x 2000
Spare parts	
Restrainer basket	BKT-AS-AC-02
Bag fixing ring	12x BFR-MBF-AF-3P
NBR Lid gasket	1x ORG-VMBF-B-M12
Accessories (optional)	
Mesh strainers (25 - 800 µm)	FMB-AS-AC-02(-25-800)
Evacuation balloon	BAL-SE-AC-02
Bag positioner	BLK-SE-AC-02
LOFNETIC magnetic insert	LOFNET-1BAR/2BAR-02
Pressure gauge (10bar) G ½"	M-10-S-1/2
Reducer 1" nipple ½" socket	RV-025C/015B-AC
Vent valve G 1"	E-1-S
Double nipple 1"	DN-1-S
Gaskets available in	FPM, EPDM

(Changes possible w/o notice)



Bag Filter MAXILINE VMBF-1202-AC10-250DTX (VAR)

Code number: F610204

The positions of inlet (N1) and outlet (N2) nozzle are variable and adaptable to customer requirements as shown below.

Please note that the orientation of the legs could be changed by 45° if N2 is e.g. shifted to 225°.

