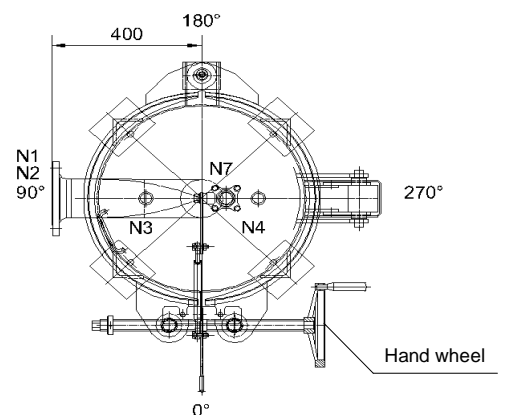
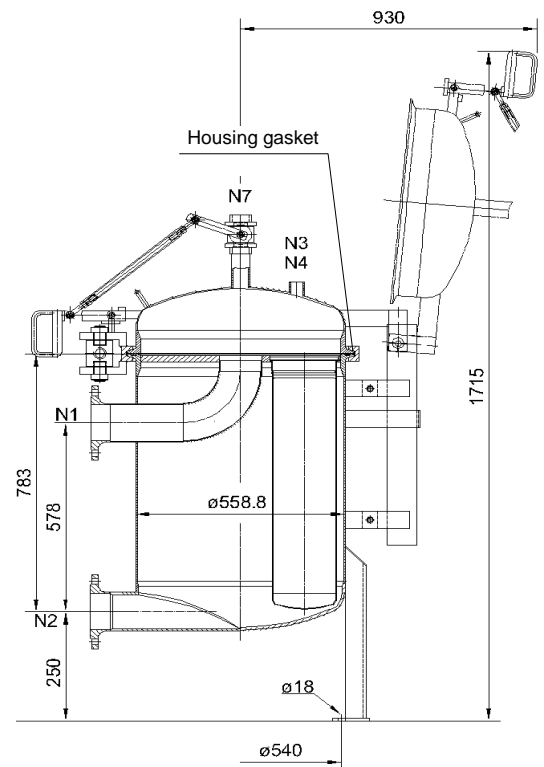


Bag Filter MAXILINE VMBF-0402-AC10-100DTX (VAR)

Specification

Code number	F610202	
Technical data		
Max. theoretic flow rate	m ³ /h	160 (dep. on filter element / fluid)
Filter area	m ²	2
No. of restrainer baskets	qty	4
Filter housing volume (V)	liter	approx. 205
Filter housing weight	kg	approx. 220
Installation height	mm	approx. 2300
Installation space	mm	approx. 1000 x 1000
Lid configuration		with spring aided lifter
Design code		AD 2000-Merkblätter
PED 97/23/EC classification		Kategorie IV
Material of construction		
Housing		Stainless Steel 316 Ti
Restrainer basket		Stainless Steel 316 Ti
Closure (QIC-LOCK)		Stainless Steel 321
Other parts (non wetted)		Stainless Steel 304
Gaskets		NBR
Design data		
Max. allowable pressure (PS)	bar	10
Min./max. allow. Temp. (TS)	°C	-10/ +120
Housing connections		
N1/N2 (inlet/ outlet)		DN 100 PN16 (DIN 2633)
N3/N4 (lid holes)		BSP socket 1"
N7 (safety device)		ball valve 1"
Packing		
Dimensions (L x W x H)	mm	1200 x 800 x 1700
Spare parts		
Restrainer basket		BKT-AS-AC-02
Bag fixing ring	4x	BFR-MBF-AF-3P
NBR Lid gasket	1x	ORG-VMBF-B-M04
Accessories (optional)		
Mesh strainers (25 - 800 µm)		FMB-AS-AC-02(-25-800)
Evacuation balloon		BAL-SE-AC-02
Bag positioner		BLK-SE-AC-02
LOFNETIC magnetic insert		LOFNET-1BAR/2BAR-02
Pressure gauge (10bar) G ½"		M-10-S-1/2
Reducer 1" nipple ½" socket		RV-025C/015B-AC
Vent valve G 1"		E-1-S
Double nipple 1"		DN-1-S
Gaskets available in		FPM, EPDM

(Changes possible w/o notice)



Bag Filter MAXILINE VMBF-0402-AC10-100DTX (VAR)

Code number: F610202

The positions of inlet (N1) and outlet (N2) nozzle are variable and adaptable to customer requirements as shown below.

Please note that the orientation of the legs could be changed by 45° if N2 is e.g. shifted to 225°.

