

Series 600/650

Written by Administrator

Monday, 08 June 2009 12:21 - Last Updated Friday, 19 February 2010 15:22

Series 600/650

Large diameter stainless steel or coated carbon steel/stainless steel mixers with [fixed elements](#) for water and wastewater treatment industries and general purpose. Flanged or plain ended for VJ couplings. Optional injectors and sampling points. Coatings are available in Scotchkote 206N or Rilsan.

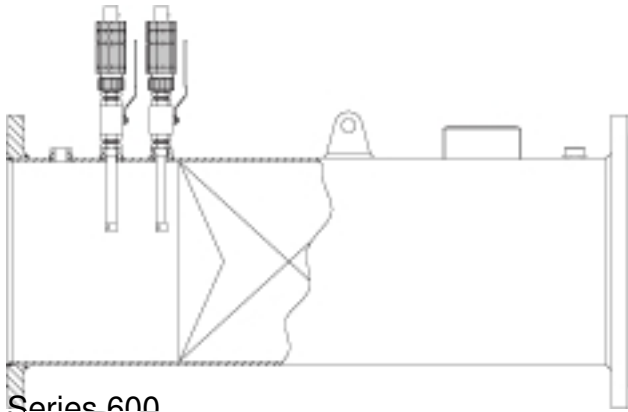


250mm dia Series 600 cutaway

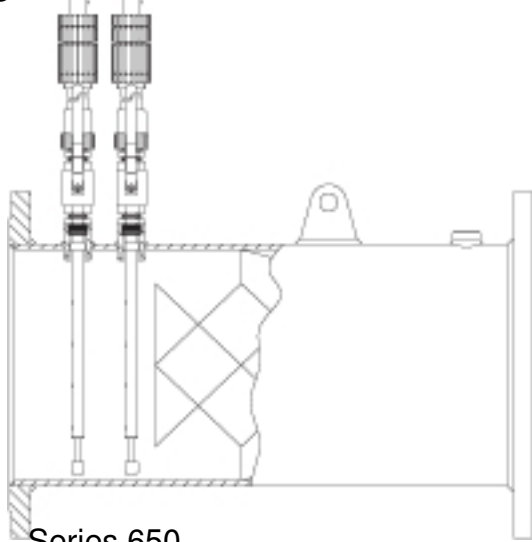
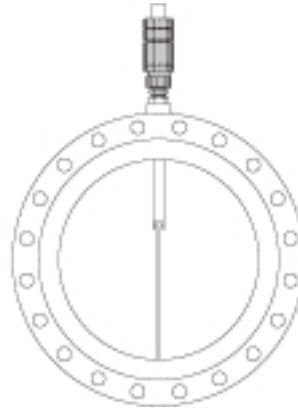
Series 600/650

Written by Administrator

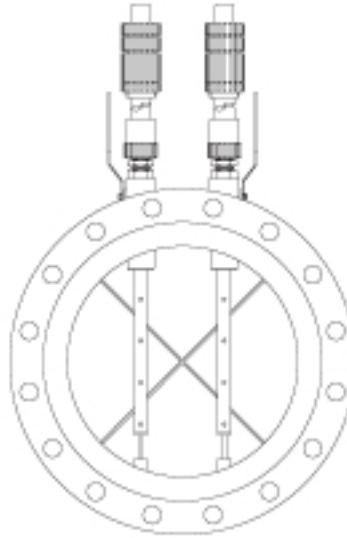
Monday, 08 June 2009 12:21 - Last Updated Friday, 19 February 2010 15:22



Series 600



Series 650



600mm dia Series 650